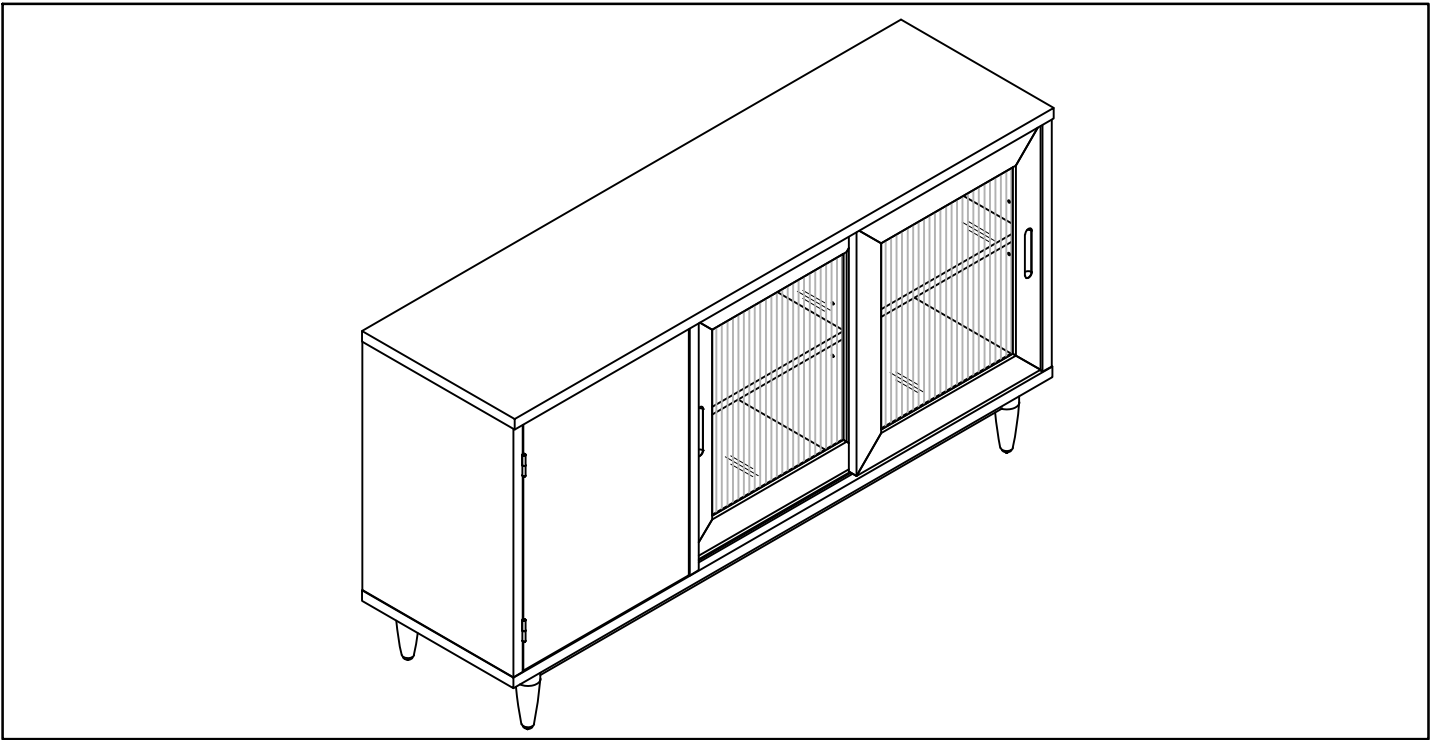


WORLD MARKET®

Assembly Instructions

Kellen Fluted Glass Sideboard

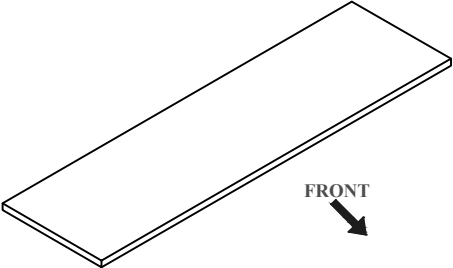
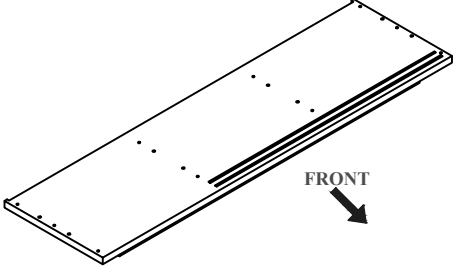
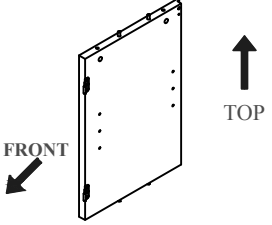
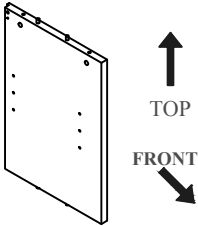
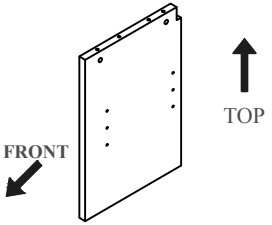
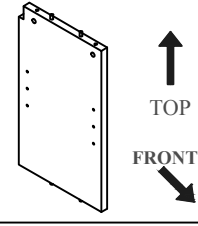
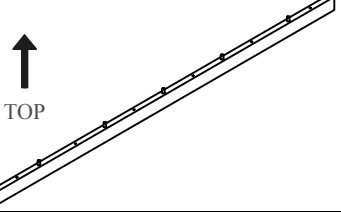
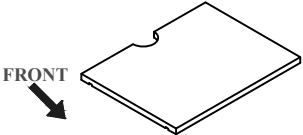
SKU 626638



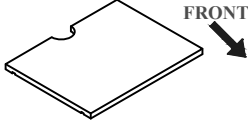
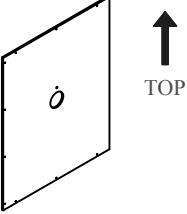
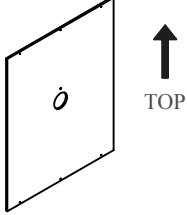
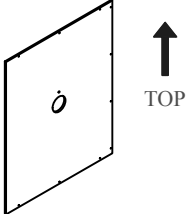
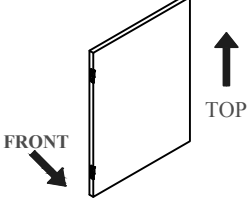
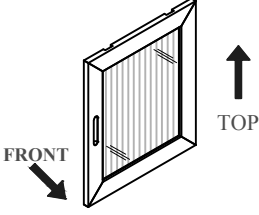
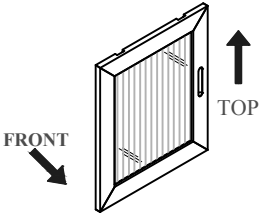
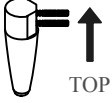

Thank you for your purchase. If you have any questions pertaining to the assembly of this furniture piece, please contact the nearest World Market store. If you are not near a store, please call our customer service call center toll free at 877-967-5362 for assistance.

ALL PRODUCTS SOLD AT WORLD MARKET ARE NOT
FOR COMMERCIAL USE AND ARE INTENDED FOR
RESIDENTIAL USE ONLY

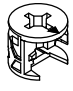
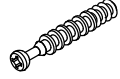
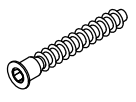
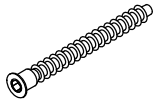

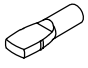




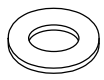

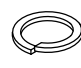
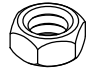
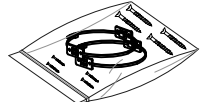
Component List

LABEL	PICTURE	DESCRIPTION	Q.TY
A		Top Frame	1
B		Bottom Frame	1
C-1		Left Side Frame	1
C-2		Right Side Frame	1
D-1		Left Divider Frame	1
D-2		Right Divider Frame	1
E		Support Rail	1
F-1		Left Adjustable Shelf	1


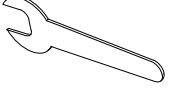
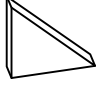
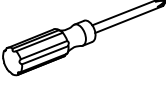
Component List

LABEL	PICTURE	DESCRIPTION	Q.TY
F-2		Right Adjustable Shelf	2
G-1		Left Back Panel	1
G-2		Mid Back Panel	1
G-3		Right Back Panel	1
I		Left Door	1
J-1		Left Sliding Door (Tempered Glass)	1
J-2		Right Sliding Door (Tempered Glass)	1
K		Leg	4
L		Back Lid	3

Component List

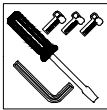
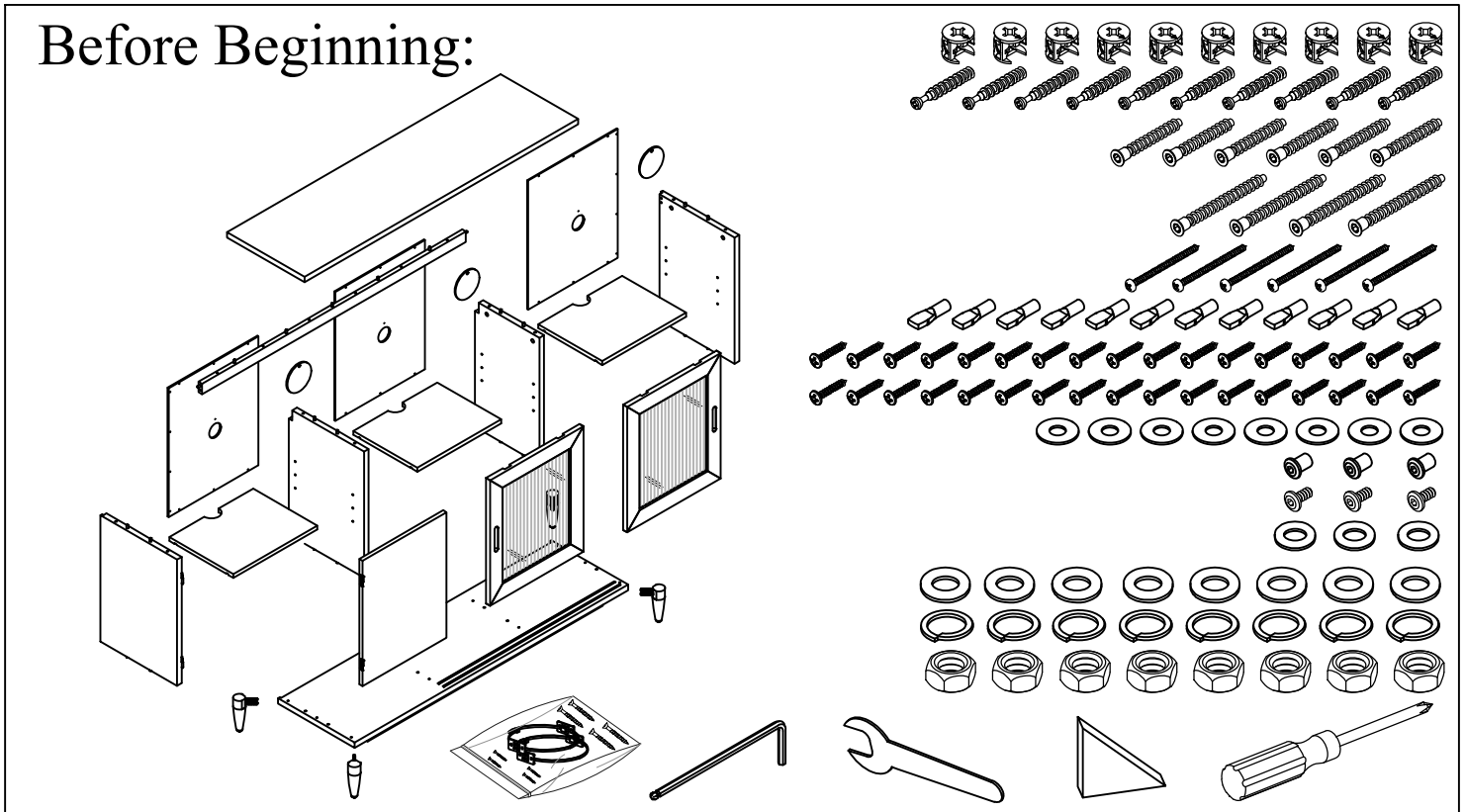
LABEL	PICTURE	DESCRIPTION	Q.TY
H-1		Cam lock Ø15 mm	10
H-2		Cam Screw	10
H-3		Short Connecting Screw M7 x 50 mm	6
H-4		Long Connecting Screw M7 x 70 mm	4
H-5		Long Pan head Screw M4 x 60 mm	6
H-6		Shelf Pin Ø6	12
H-7		Short Pan head Screw M3.5 x 15 mm	34
H-8		Medium Flat Washer Ø6 x Ø19 x T1 mm	8
H-9		Connector Bolt M6 x 10 mm (inside)	3
H-10		Allen Bolt M6 x 10 mm	3
H-11		Large Flat Washer Ø10 x Ø20 x T2 mm	3
H-12		Small Flat Washer Ø8 x Ø16 x T2 mm	8
H-13		Lock Washer Ø8 x Ø13 x T2 mm	8
H-14		Nut M8 x 13mm	8
H-15		Anti Tip-kit	1

Component List

LABEL	PICTURE	DESCRIPTION	Q.TY
T-1		Allen Key 4 x 110 x 30 mm	1
T-2		Wrench 13 mm	1
T-3		Triangle	1
T-4		Phillips Screwdriver (Not Included)	1

Assembly Preparation

Before Beginning:



Unpack all hardware bags and components to ensure you have all parts. Take note of bolt hardware size differences and components that may have directional labels (Example: TOP or FRONT).



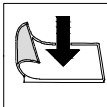
Read the assembly instructions, cover-to-cover. Save any **Care and Maintenance** instructions pages for after the assembly has been completed.



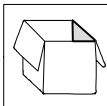
It is always recommended to have 2 adults on hand for assembly.



Do not assemble on hard, abrasive flooring or carpeted surfaces that can damage or get caught in the components during assembly.



Assemble on a clean non-marring surface (such as the product's packing foam).



Do not discard any packaging until the product has been fully assembled.



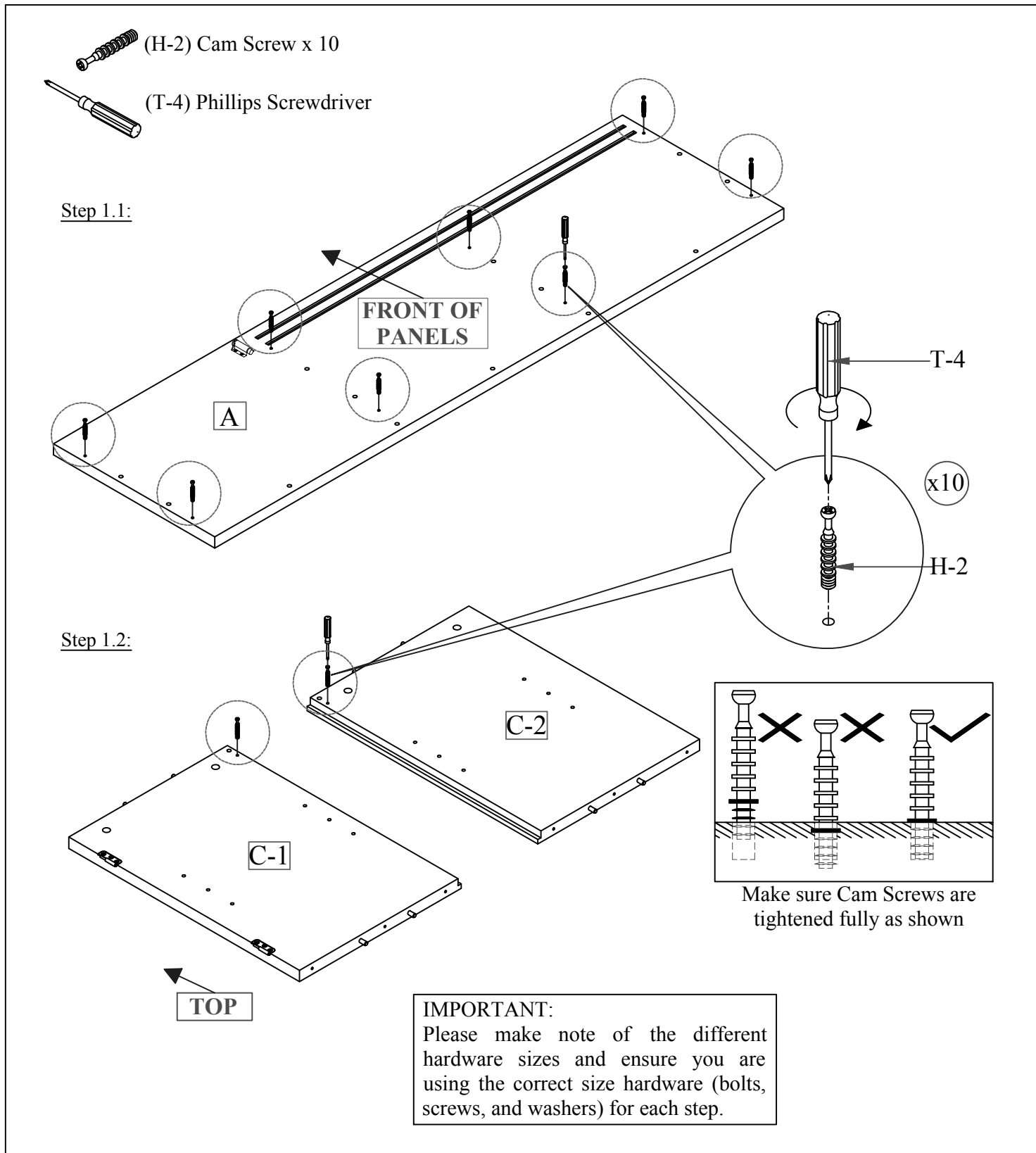
In case of missing parts, please contact your nearest World Market store or call our customer service call center at call 1-877-967-5362.



WARNING: Small parts are a choking hazard. Adult supervision is required before, during, and after assembly.

Assembly Steps

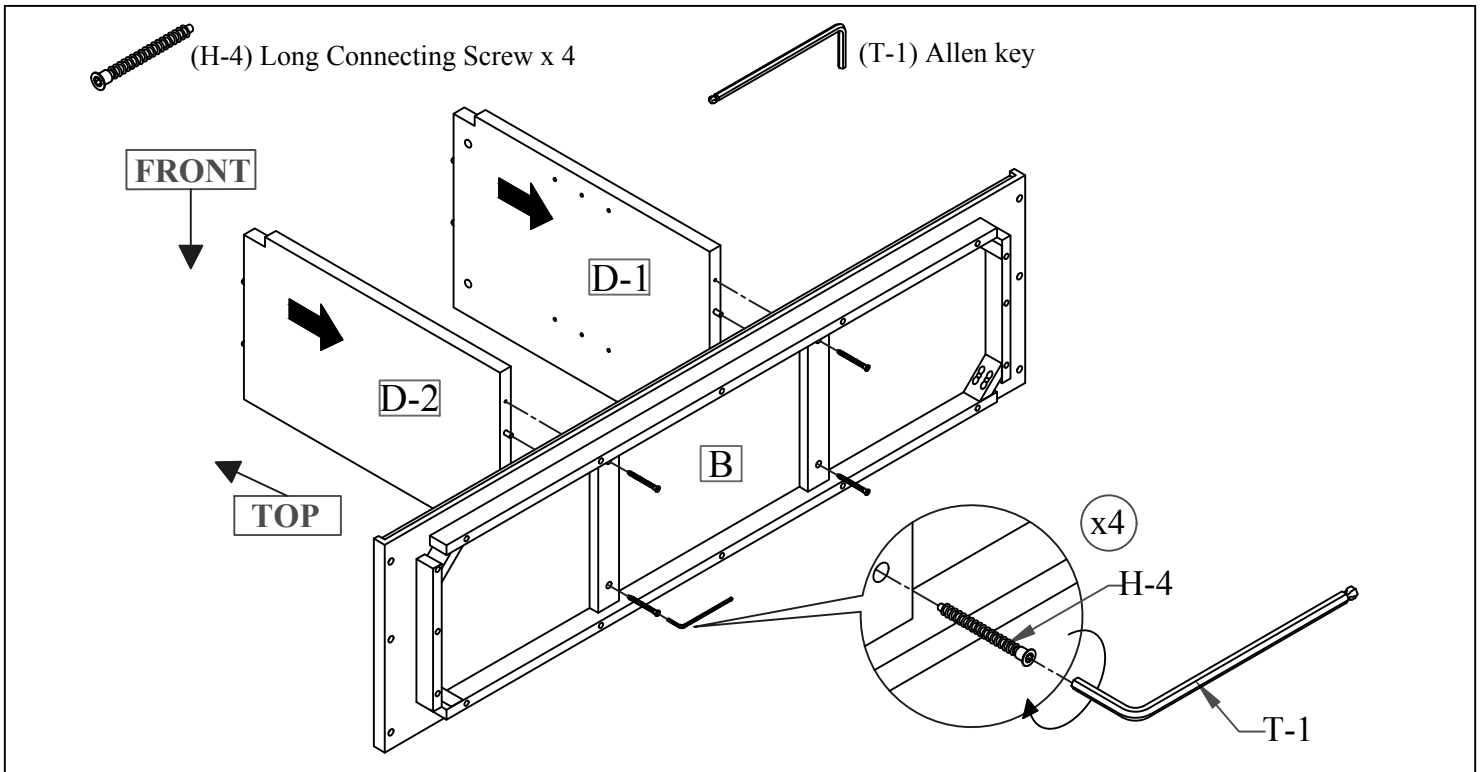
Step 1



Step 1.1: Place Top Frame (A) upside down onto a padded, non-marring surface. Install Cam Screws (H-2) into the pre-drilled holes on Top Frame (A) as shown. Fully tighten using a Phillips screwdriver (T-4, not included) per illustration above.

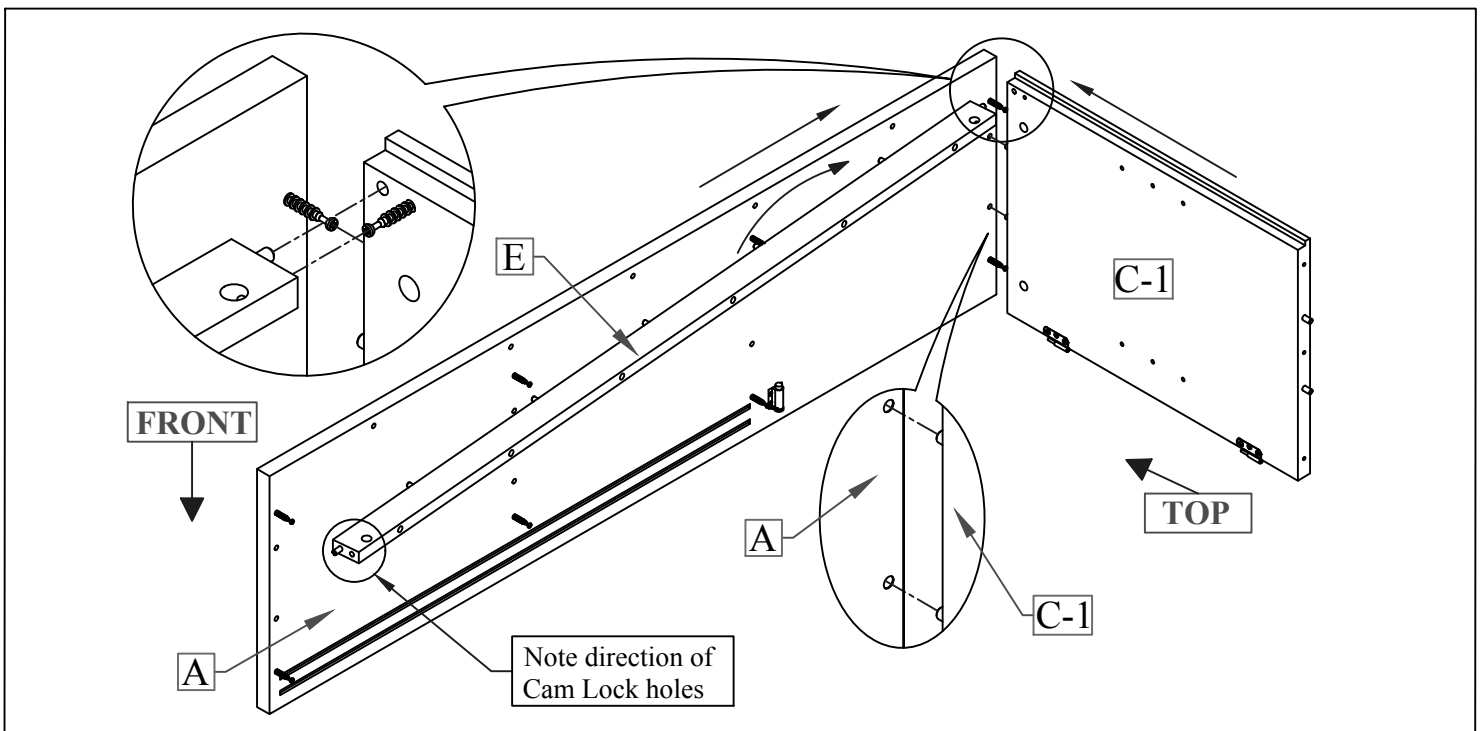
Step 1.2: Place Left Side Frame (C-1) and Right Side Frame (C-2) face down onto a padded, non-marring surface. Install Cam Screws (H-2) into the pre-drilled holes on Left/ Right Side Frame (C-1/ C-2) as shown. Fully tighten using a Phillips screwdriver (T-4, not included) per illustration above.

Step 2



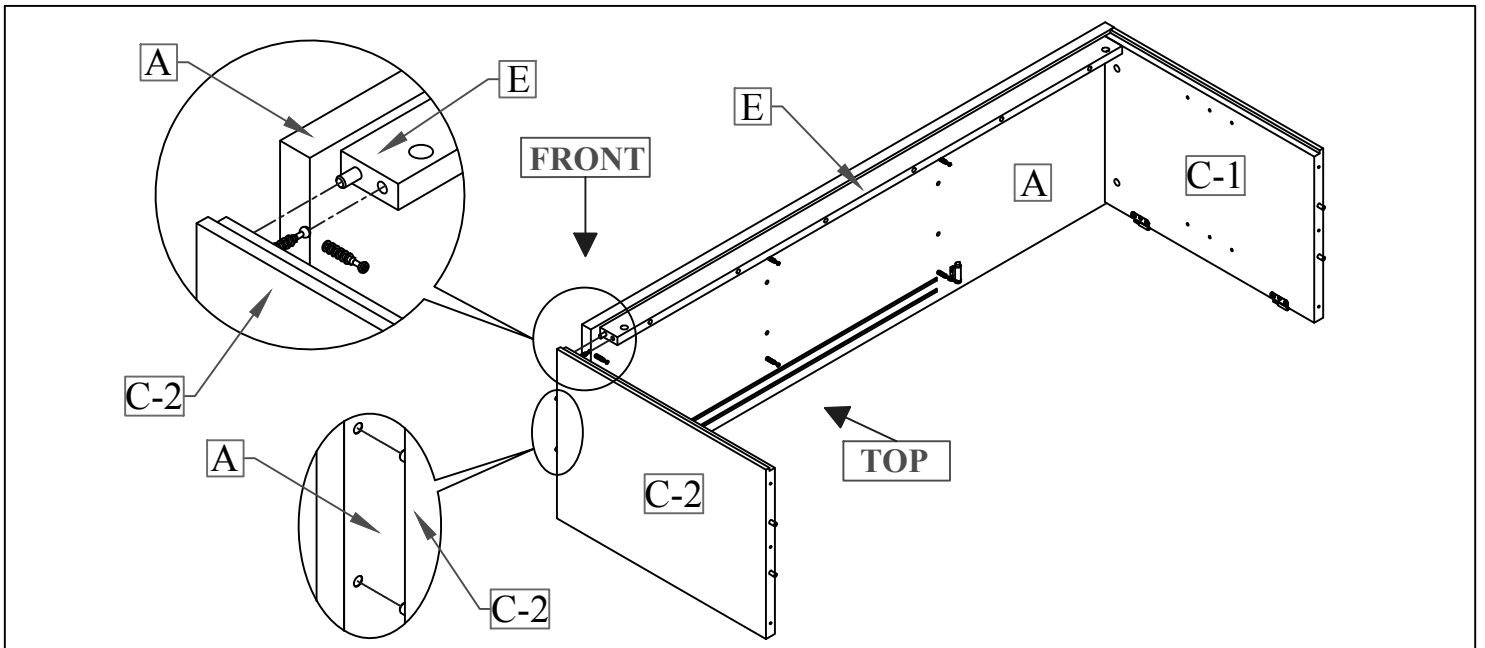
Install and secure Bottom Frame (B) to Left Divider Frame (D-1) and Right Divider Frame (D-2) using Long Connecting Screws (H-4)
Engage all screws before fully tightening using Allen Key (T-1).

Step 3.1



Using a second person to assist you, attach Support Rail (E) to Left Side Frame (C-1) by inserting previously installed Cam Screws (H-2) and dowels into receiving holes. Next, temporarily secure assembly to Top Frame (A) by inserting pre-installed dowels into receiving holes on Top Frame (A). Ensure the Cam Lock (H-1) holes are currently facing upward. Be careful with the hinges so they are not damaged, or damage the floor. Note: Do not yet secure assembly with Long Pan Head Screws (H-5) or Cam Locks (H-1).

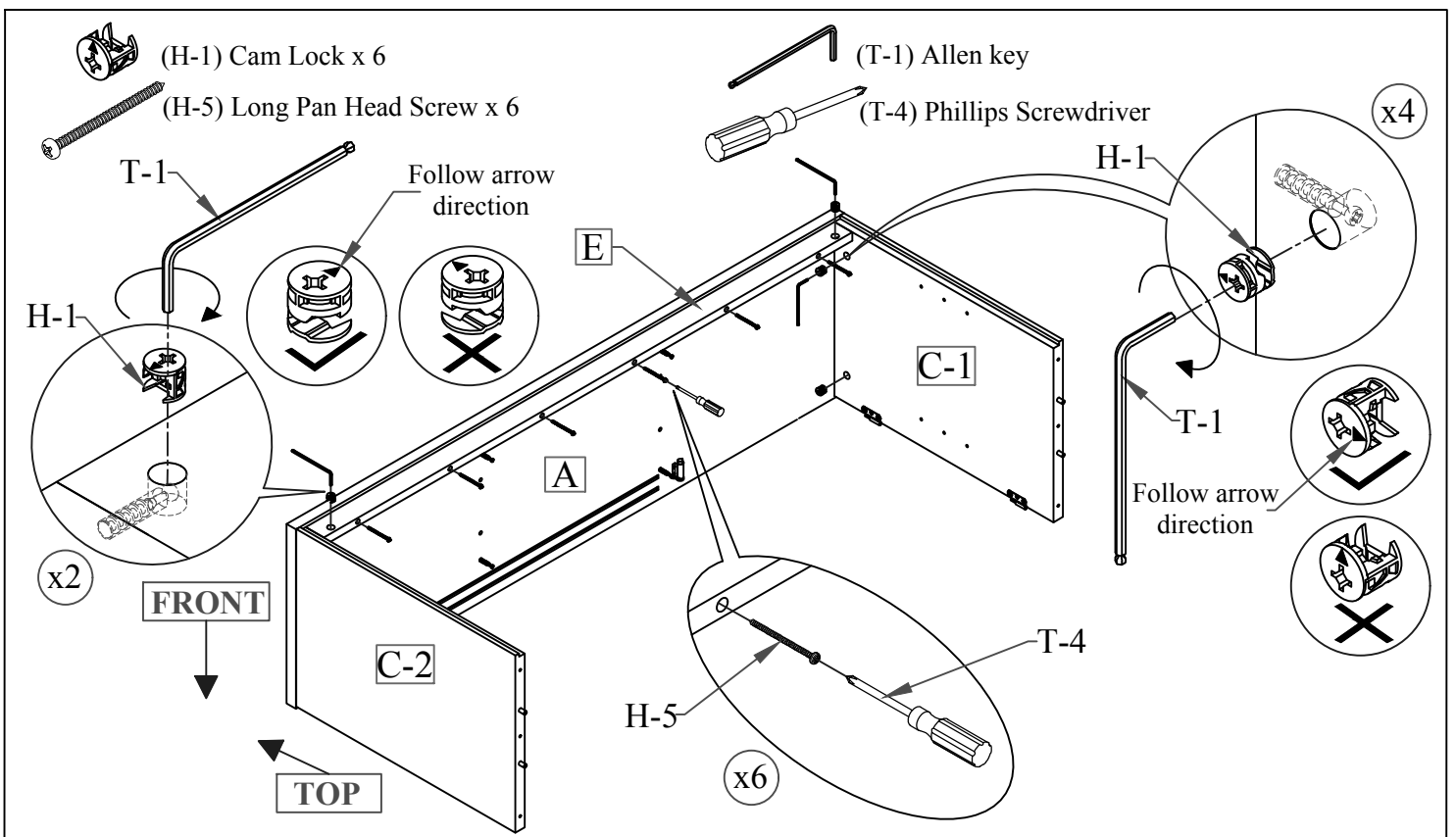
Step 3.2



Attach Right Side Frame (C-2) to the Top Frame/ Support Rail assembly as shown.

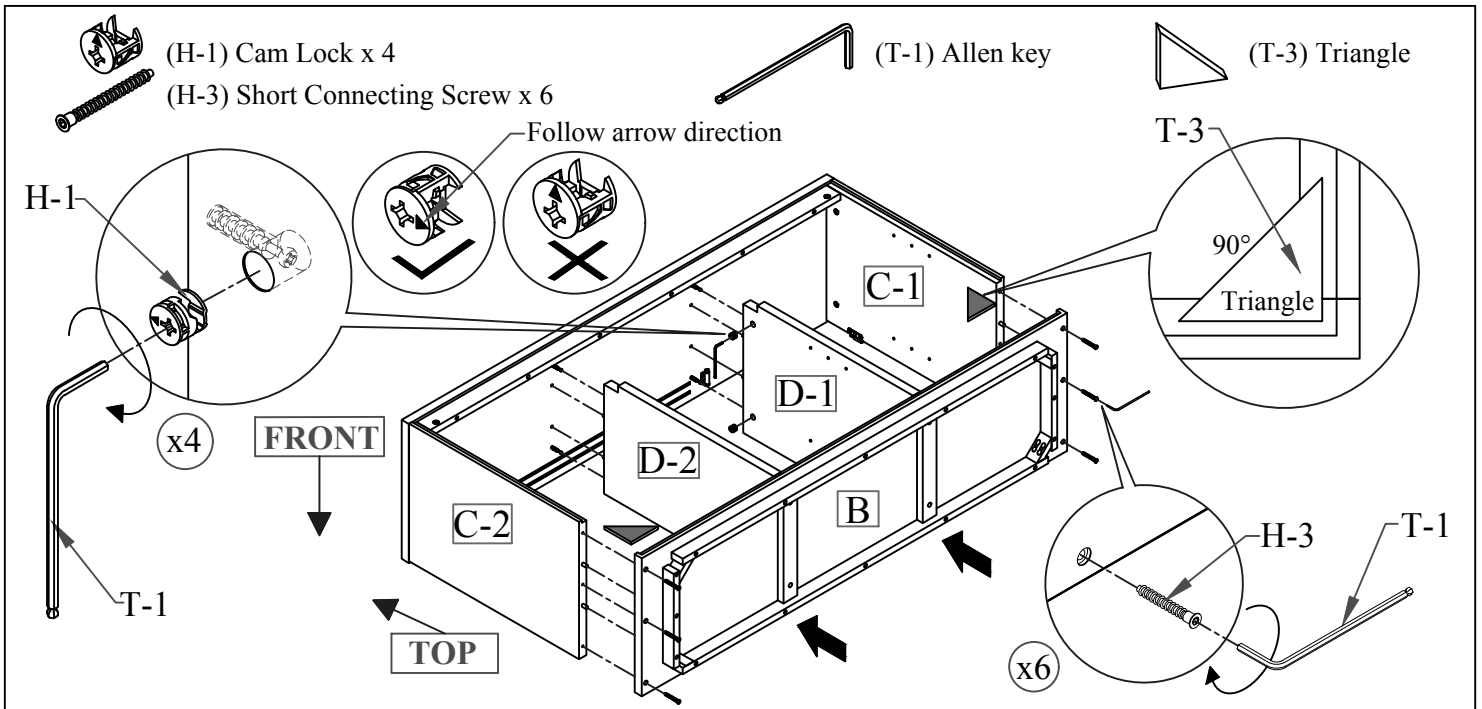
Note: A second person should hold the opposite side while performing this assembly step. Slightly separate Support Rail (E) from the Top Frame (A) (if needed) to get the Cam Screws (H-2) and dowels to insert.

Step 3.3



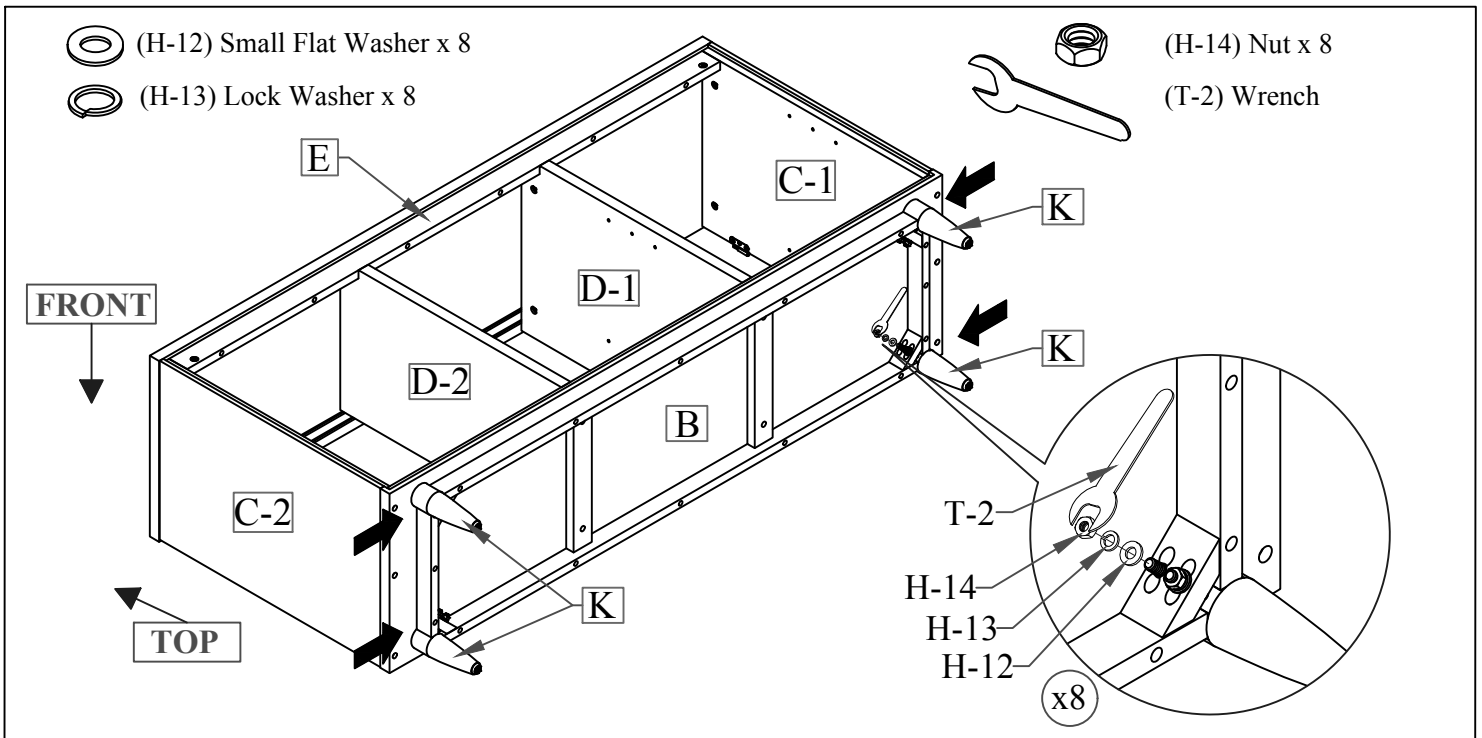
There are a total of 6 Cam Locks (H-1) to install into the corresponding holes in the back of the Support Rail (E) and toward the top of the inside of the Left/Right Side Frames (C-1/C-2) as illustrated. Insert the Cam Locks (H-1) in each of the 6 corresponding holes, ensuring the arrow on the Cam Lock (H-1) will face toward the accompanying screw. Once all are inserted, fully tighten by turning clockwise with the provided Allen Key (T-1). DO NOT over tighten. Next, secure Support Rail (E) to Top Frame (A) with Long Pan Head Screws (H-5) using a Phillips Screwdriver (T-4; not included). DO NOT over tighten.

Step 4



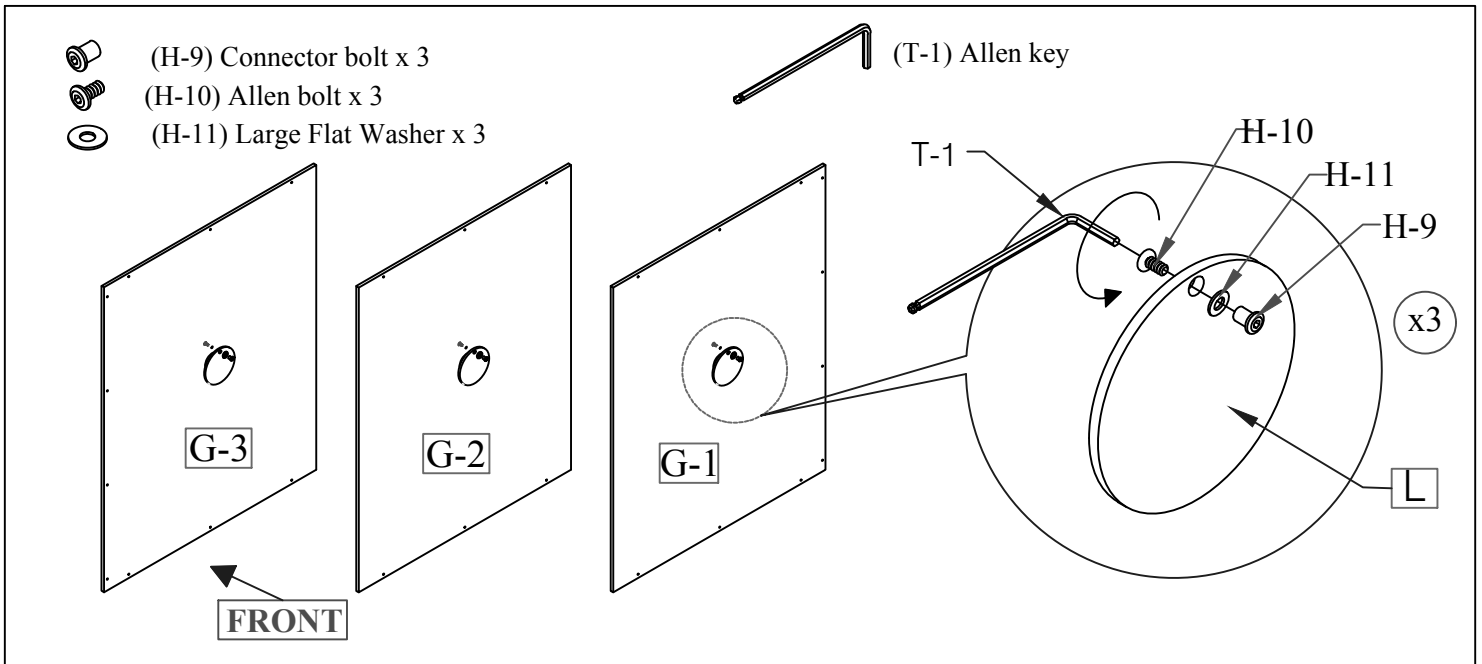
Position the Bottom Frame (B) assembly from step 2 to Left/Right Side Frames (C-1/C-2) while, at the same time, ensuring the Cam Screws (H-2) in the Top Frame (A) engage with both Left/Right Divider Frames (D-1/D-2). Ensure assembly is square with provided 90° Triangle (T-3). If there is a gap between either edge of the Triangle (T-3) and the assembly, adjust until there are no gaps. Once satisfied, secure by engaging all Short Connecting Screws (H-3), then fully tightening with Allen Key (T-1). DO NOT over tighten. There are 4 Cam Locks (H-1) to be installed in this step located toward the top of the Left/Right Divider Frames (D-1/D-2). Insert Cam Locks (H-1) into each corresponding hole, making sure the arrow will point to the accompanying screw. Secure all Cam Locks (H-1) using Allen Key (T-1) by turning clockwise until snug. DO NOT over tighten.

Step 5



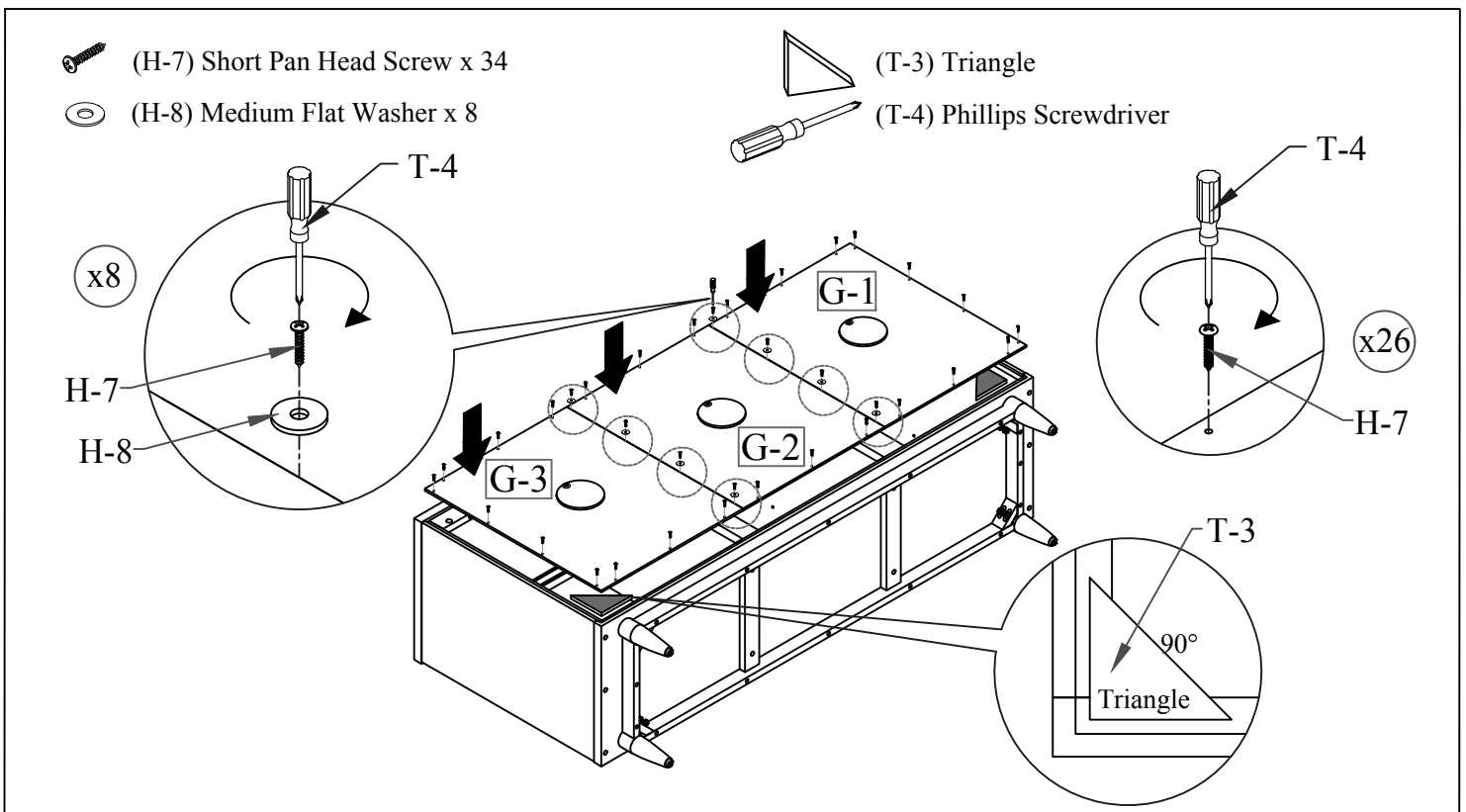
Install and secure Legs (K) to Bottom Frame (B) with Small Flat Washers (H-12), Lock Washers (H-13), and Nuts (H-14) using the provided Wrench (T-2), stacking the hardware in the order as shown. Engage all Nuts (H-14) first, then fully tighten. DO NOT over tighten.

Step 6



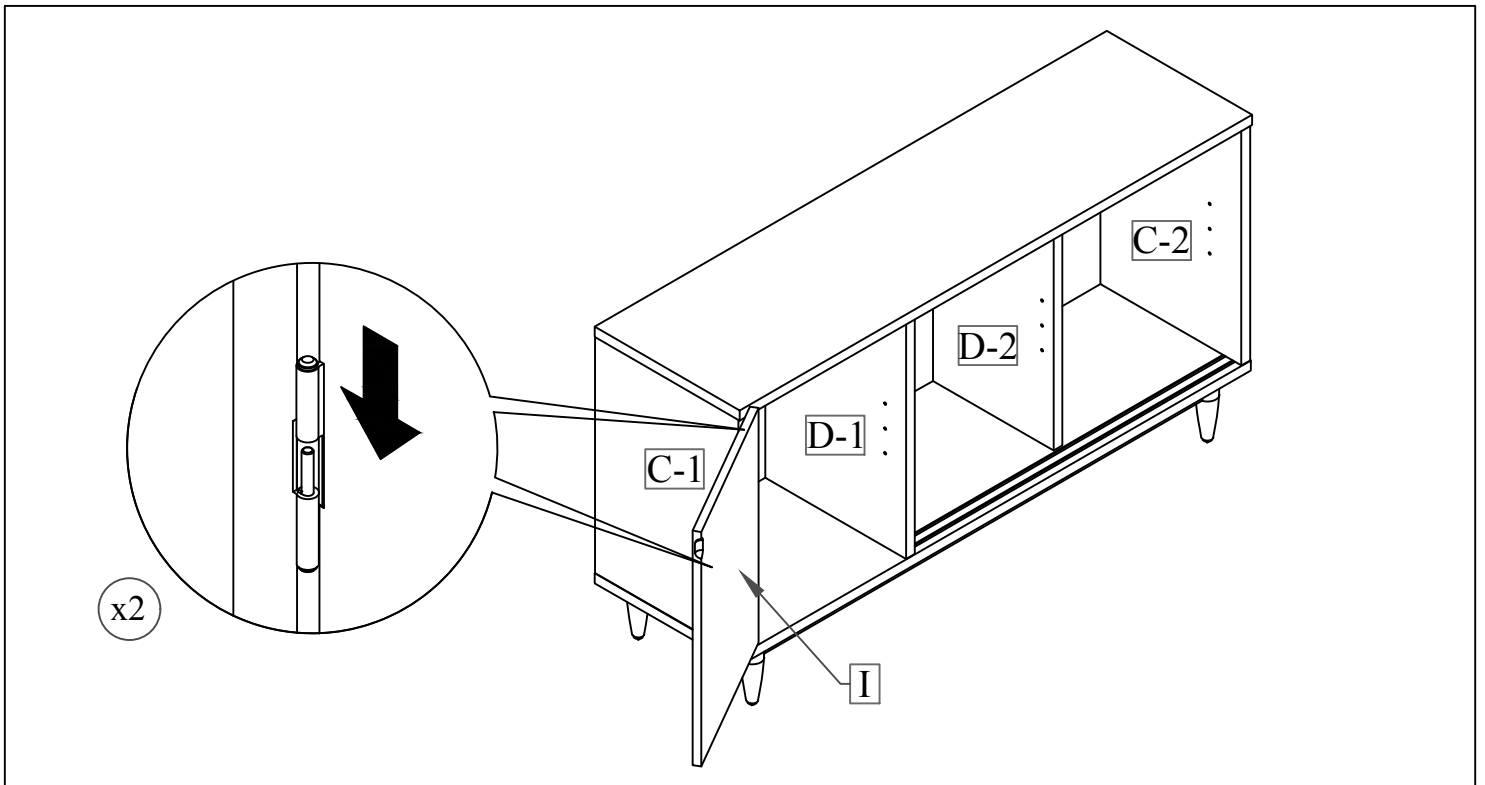
Position Lids (L) to Left/Mid/Right Back Panels (G-1/G-2/G-3). Secure with Connector Bolts (H-9), Large Flat Washers (H-11), an Allen Bolts (H-10) using provided Allen Key (T-1), stacking the hardware through Back Panels in the order as shown. Engage all bolts first then fully tighten. **DO NOT** over tighten.

Step 7



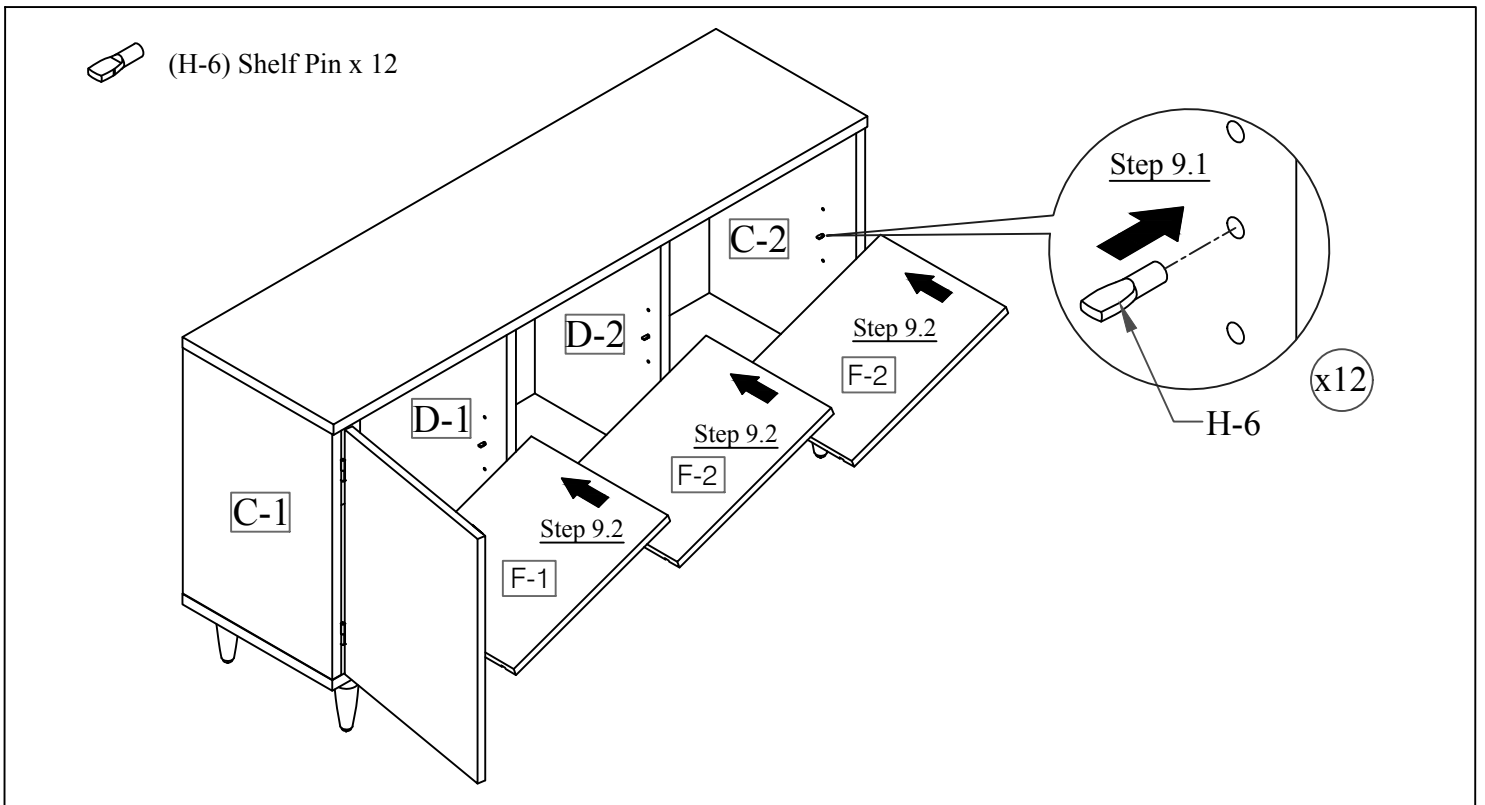
Check that assembly is square with provided 90° Triangle (T-3). Once satisfied, position Left Back Panel (G-1), Mid Back Panel (G-2), and Right Back Panel (G-3) as shown. To be certain the Back Panels (G-1/G-2/G-3) are oriented correctly, make sure the Connecting Bolts (H-9) from step 6 point toward the top. Secure around the perimeter of the sideboard with Short Pan Head Screws (H-7) using Phillips Screwdriver (T-4; not included). **DO NOT** over tighten. Secure the middle of the Left/Mid/Right Back Panels (G-1/G-2/G-3) to the back of the assembly with Short Pan Head Screws (H-7) and Medium Flat Washers (H-8) using Phillips Screwdriver (T-4; not included), stacking the hardware in the order as shown. **DO NOT** over tighten.

Step 8



Using a second person to assist you, carefully turn the assembled unit upright as shown. Position and secure Left Door (I) to Left Side Frame (C-1) in the correct placements and secure to assembly by inserting pre-installed male hinges into female hinges as shown.

Step 9

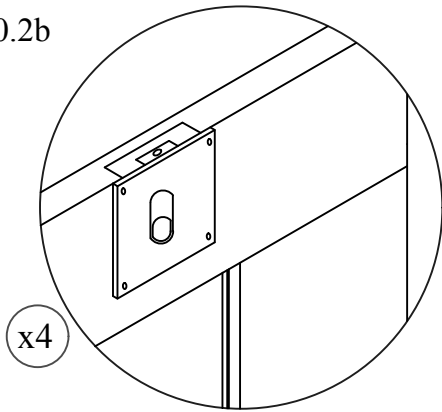


Step 9.1: Insert Shelf Pins (H-6) into the desired hole locations on Left Side Frame (C-1), Right Side Frame (C-2), Left Divider Frame (D-1) and Right Divider Frame (D-2).

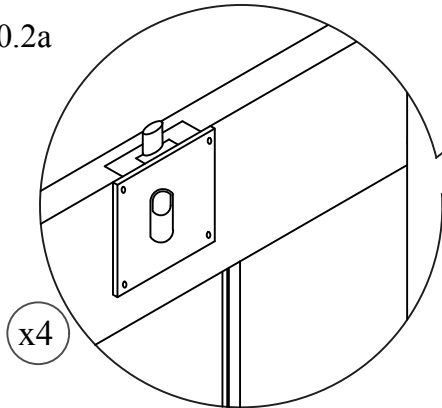
Step 9.2: Turn Left/ Right Adjustable Shelf (F-1/ F-2) diagonally and carefully insert into position as shown, making sure they rest evenly on each Shelf Pin (H-6). The cut out in each Shelf should be toward the back.

Step 10

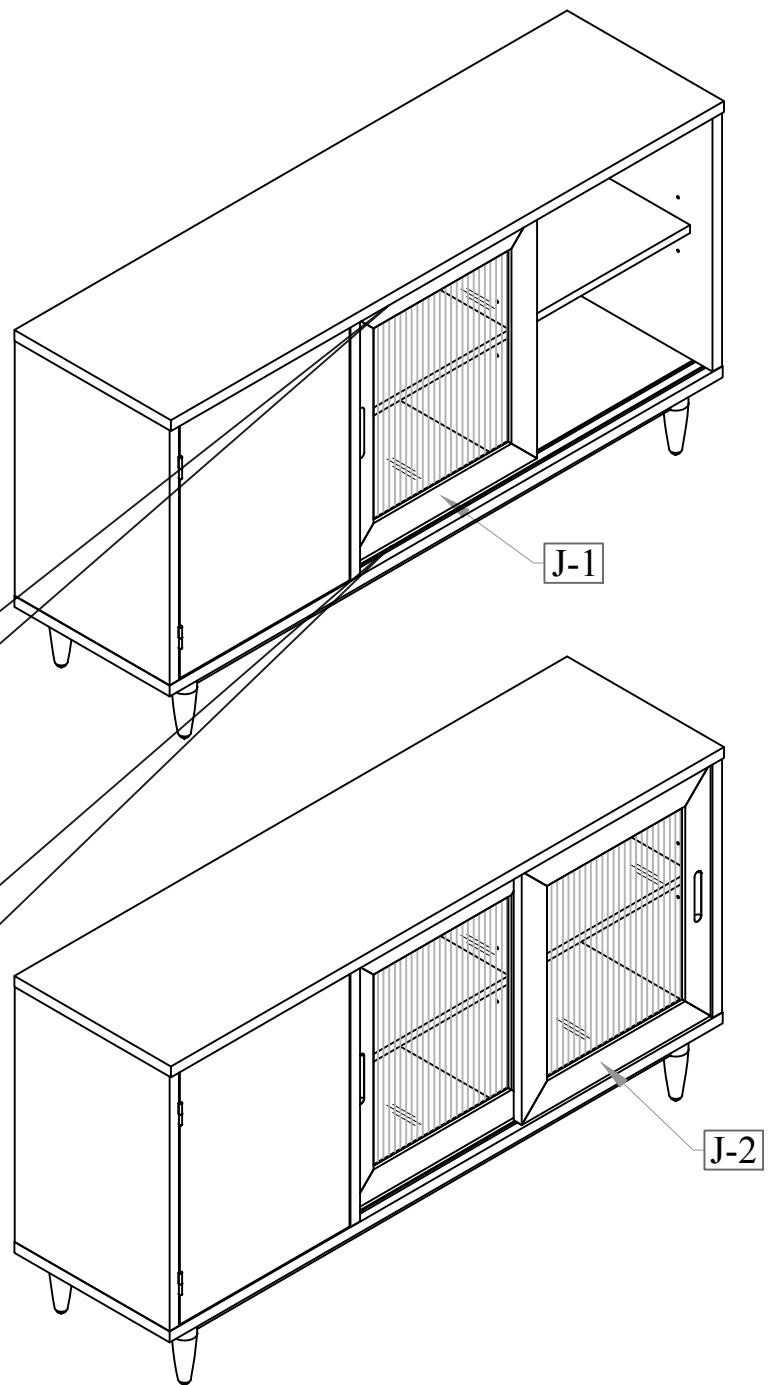
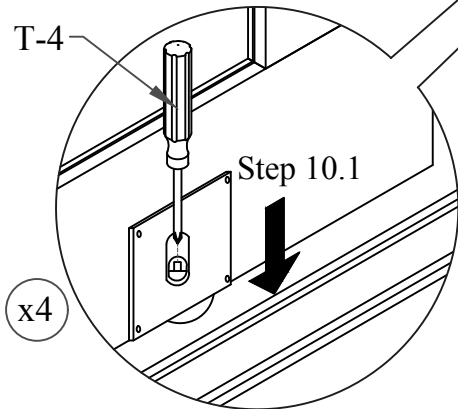
Step 10.2b



Step 10.2a



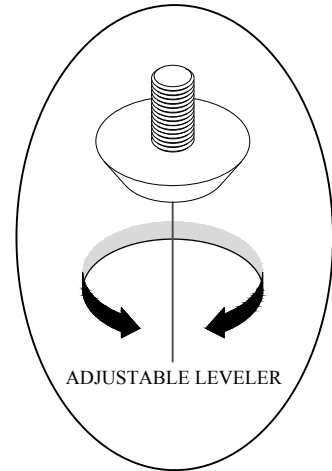
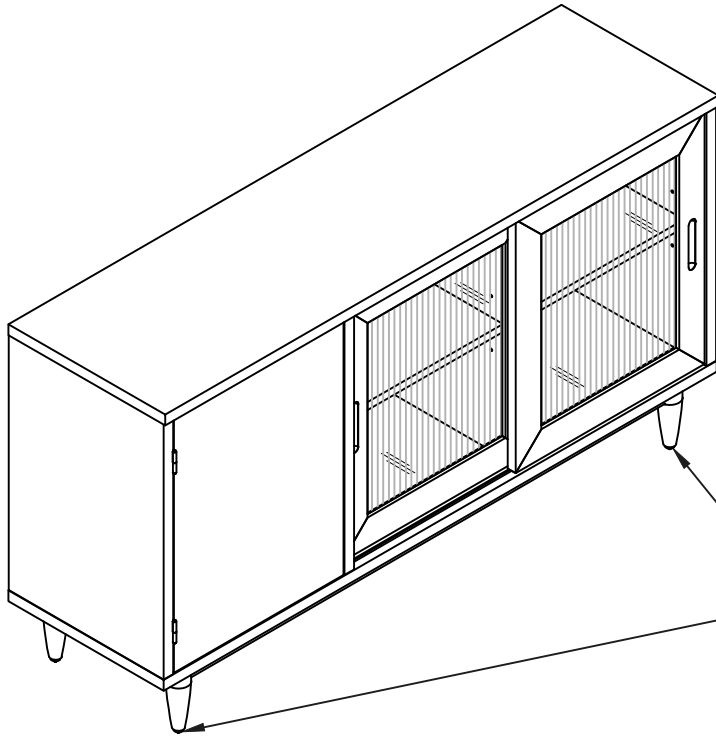
T-4



NOTE: There are adjustment screws on the lower wheels as illustrated above. Turn the set screw clockwise to adjust the wheels INWARD which will decrease the gap between the bottom track and the bottom of the door. Adjust the set screw counter-clockwise to adjust the wheels OUTWARD which will increase the gap between the bottom track and the bottom of the door. If the Sliding Doors seem too small, use this adjustment technique to properly fit and align doors.

Step 10.1: Insert the bottom wheel of the Left Sliding Door (J-1) into the inner groove on the Bottom Frame (B).
Step 10.2a: Push and lock the button located above the latch at the top of the Left Sliding Door (J-1) in place.
Step 10.2b: Position the Left Sliding Door (J-1) into the top track and release the latch button to the inside track.
Repeat the same steps to install the Right Sliding Door (J-2) in outer tracks.

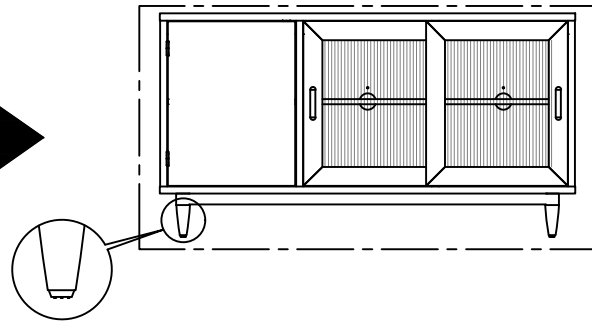
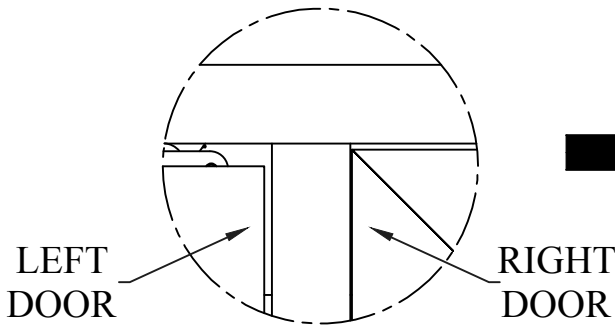
Step 11



NOTE: Levelers can be used for adjustment if needed.

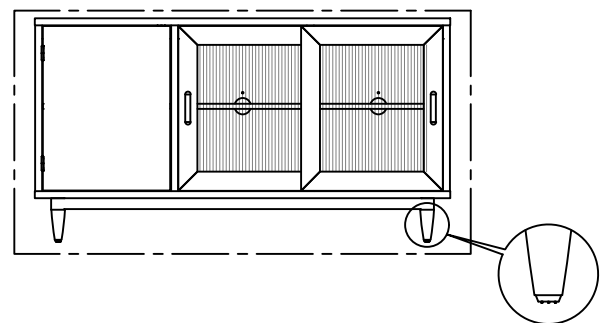
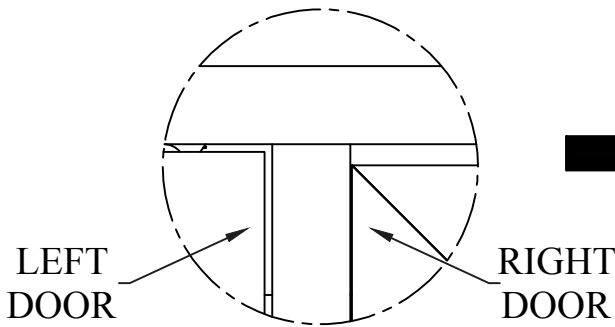
If RIGHT DOOR appears higher than the LEFT DOOR

Adjust the FRONT LEFT leveler until doors are even.



If LEFT DOOR appears higher than the RIGHT DOOR

Adjust the FRONT RIGHT leveler until doors are even.

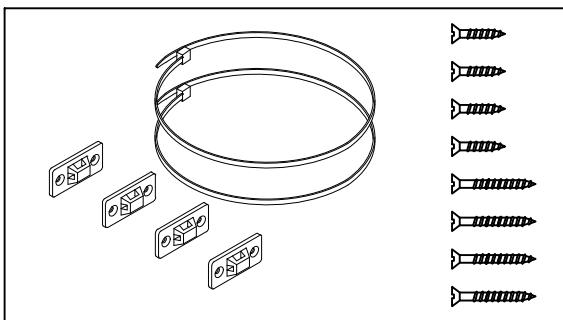


Ensure that all hardware have been fully tightened. Assembly is now complete and the sideboard is ready for use.
* Note: Once the sideboard is assembled and is level and square, the adjustable levelers can be used for further adjustment. First make sure all levelers rest evenly on the floor. If the RIGHT DOOR appears higher than the left door, adjust the LEFT FRONT leveler until the doors align. Adjust the RIGHT FRONT leveler if the LEFT DOOR is higher.

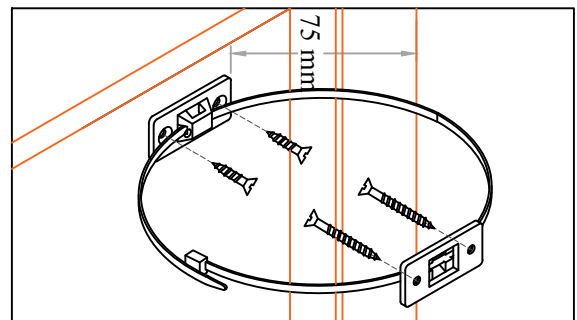
Anti-Tip Measures

! WARNING

Furniture tip overs can result in death or serious injuries. To reduce the likelihood of tip over, this product should be used with the enclosed Anti-Tip Kit. This Anti-Tip Kit is only a deterrent. It is not a substitute for proper adult supervision. Manufacturer and retailer assume no liability for improper installation or excess loads placed on screws, brackets, or straps. When properly installed, this restraint provides protection against unexpected tipping of furniture. This Anti-Tip Kit **MUST** be installed into the wall using proper mounting hardware **OR** into a wall stud using appropriate screws. Position of the Anti-Tip Kit depends on the product and the location of the wall studs. The hardware provided is not a comprehensive solution for all wall types. Be sure to consult a professional or your local hardware store to determine the hardware needed for your specific wall type (plaster, drywall, concrete, etc.).



Anti-Tip kit contents



Anti-Tip kit installation

Using a second person to assist you, place the unit in the desired final location against a wall. It is suggested to use a stud finder to find wall studs along the length of the unit and roughly 1 inch below the top. Where possible, mark a drill hole position on the wall where there is a stud and use a Drill or Screwdriver (NOT INCLUDED) to attach Wall Brackets to the wall using Long Screws in the location of the wall studs.

In a case where there is no wall stud, hold Brackets on wall and mark the drill hole positions so that they are roughly 1 inch below the top of the piece. Using a Drill (NOT INCLUDED) with a drill bit roughly the diameter of the plastic Wall Plugs, drill pilot holes in marked positions. Insert the plastic Wall Plugs into the holes until the tops are roughly flush with the wall. Align the holes and insert the Long Screws through Brackets and into the corresponding holes in the wall using a Phillips Head Screwdriver (NOT INCLUDED).

Next, attach remaining 2 Brackets to the back of the piece using Short Screws so they align with Brackets installed on the wall. Loop Straps through Brackets (A) on the furniture piece, then through Brackets on the wall and tighten until snug. Installation is now complete.

IMPORTANT: Check that the Wall Brackets are firmly screwed into the wall and the Cable Ties are snug.

If there is any hesitation, please consult a professional or your local hardware store.

Warnings

⚠ WARNING



Children have died from furniture tip over. To reduce the risk of furniture tip over:

- **ALWAYS** install Anti-Tip device provided.
- **NEVER** put a TV on this product.
- **NEVER** allow children to stand, climb or hang on any drawers, doors or shelves.
- **NEVER** open more than one drawer at a time.
- **DO NOT** defeat or remove any drawer interlock system if included with the product; it is an important stability and safety system.
- **Place heaviest items in the lowest drawers.**



Not intended for clothing storage use.



All products sold at World Market are not for commercial use and are intended for residential use only.

Care & Maintenance



DO NOT put hot items directly on furniture surface.



DO NOT clean furniture with harsh cleansers or polish.



DO NOT place furniture in direct sunlight.



DO NOT place furniture near heating or cooling vents.



DO NOT write on furniture without a padded barrier to protect the surface.



DO NOT place furniture outside. For **INDOOR USE ONLY**.



Dust and pick up spills using a clean, non-colored, lint-free dry cloth.

WORLD MARKET LIMITED ONE-YEAR WARRANTY – Indoor Furniture

For your customer satisfaction, this product carries a LIMITED ONE-YEAR WARRANTY from the date of delivery. This limited warranty only applies to World Market brand furniture, and not to other furniture brands sold on World Market's website.

Where applicable, the limited warranty provides coverage for:

1. **Manufacturing, Material and Workmanship Defects:** Includes defects related to core frame/structure substrates (wood and metal); cracking, splitting, or complete breakage of hardwood, plywood or medium density fiberboard (MDF); cracking, splitting or lifting of wood veneer or laminated top surfaces caused by process failure; broken welds or improperly coated metal frame components (powder coating or painted); fabric or leather material defects including tears, misprints, fraying, crease marks, skip stitches or open seams; support webbing material and sinuous spring defects or damage, including method of attachment to frame; and other component failures that are a direct result of manufacturing or workmanship defects.
2. **Cushions & Cushions with Enclosed Steel Pocket Coils:** Failed or ruptured steel pocket coils enclosed inside of seat cushions, or loss of resiliency from a material breakdown of foam or fiber filling, which should not be confused with softening or settling during normal use.
3. **Leather:** Splitting or cracking of leather material. NOTE: The warranty does NOT cover natural hide markings, variations in the leather color or grain due to the authentic natural properties of processed cowhide leather.
4. **Bonded Leather or Bi-cast Leather:** Separation of the polyurethane coating, peeling or cracking of the inner layer or at the bonded seam edges (bi-cast straps).
5. **Furniture Components (Hardware & Mechanisms):** Includes defects to pre-installed components or hardware provided to the customer for assembly such as office chair hydraulic lifts, lift mechanisms, metal bases and casters, swivel plate mechanisms; for drawers, metal glides, handles/knobs; for doors, hinges, magnetic latches; and other components such as bent or stripped threaded leg posts and adjustable levelers. For missing, damaged, corroded, or misplaced hardware components such as bolts or washers, please contact Customer Service at: 877-967-5362.

This LIMITED ONE-YEAR WARRANTY does NOT cover:

1. Damage due to mishandling during transportation from store or transportation without original protective packaging.
2. Abuse, negligence (product misuse) or wear and tear that may result in or from:
 - a. **Wood & Veneer:** Mishandling, exposure to moisture, peeling or discoloration caused by exposure to moisture or excessive sunlight, heat; splintered, dented or nicked panels, legs or component edges or paint/finish blemishes; or treatment with corrosive chemicals (dyes, inks, paints or harsh cleaning products).
 - b. **Fabric & Leather (Including Bonded or Bi-Cast Leathers):** cuts, punctures, tears, burns, pet damage, or treatment with corrosive chemicals (dyes, inks, paints or harsh cleaning products), exposure to direct sunlight, fire, high heat, water, or any bright light source (natural or artificial) that may cause splitting, peeling or flaking with time.
 - c. **Foam (Cushions):** Flattening, relaxing or settling/softening of foam components that comes with normal use.
 - d. **Hardware Components:** improper installation or misuse/substitution of hardware components not defined in the Assembly Instructions for the product (if applicable)
3. Damage due to environmental exposure to direct sunlight, fire, high heat, water or extreme humidity, any bright light source (natural or artificial), or any environment that the product is not intended for.
4. This warranty is applicable for indoor furniture products purchased for residential use only.

For additional information on returns, please visit: <https://www.worldmarket.com/category/customer-service/returns.do>

All products sold at World Market are NOT FOR COMMERCIAL USE and are intended for residential use only. Products purchased for commercial use will VOID all warranty provisions as listed above.

Any claims under this LIMITED ONE-YEAR WARRANTY are valid and applicable only as to the original purchaser and must be accompanied by proof of purchase. Warranty claims should be submitted to a World Market store or through World Market Customer Service Call Center, Toll Free at 877-967-5362.

For valid warranty claims, World Market will repair or replace the product, or offer a full or partial credit, in the sole discretion of World Market. This LIMITED ONE-YEAR WARRANTY gives you specific legal rights and you may also have other rights which vary from state to state.